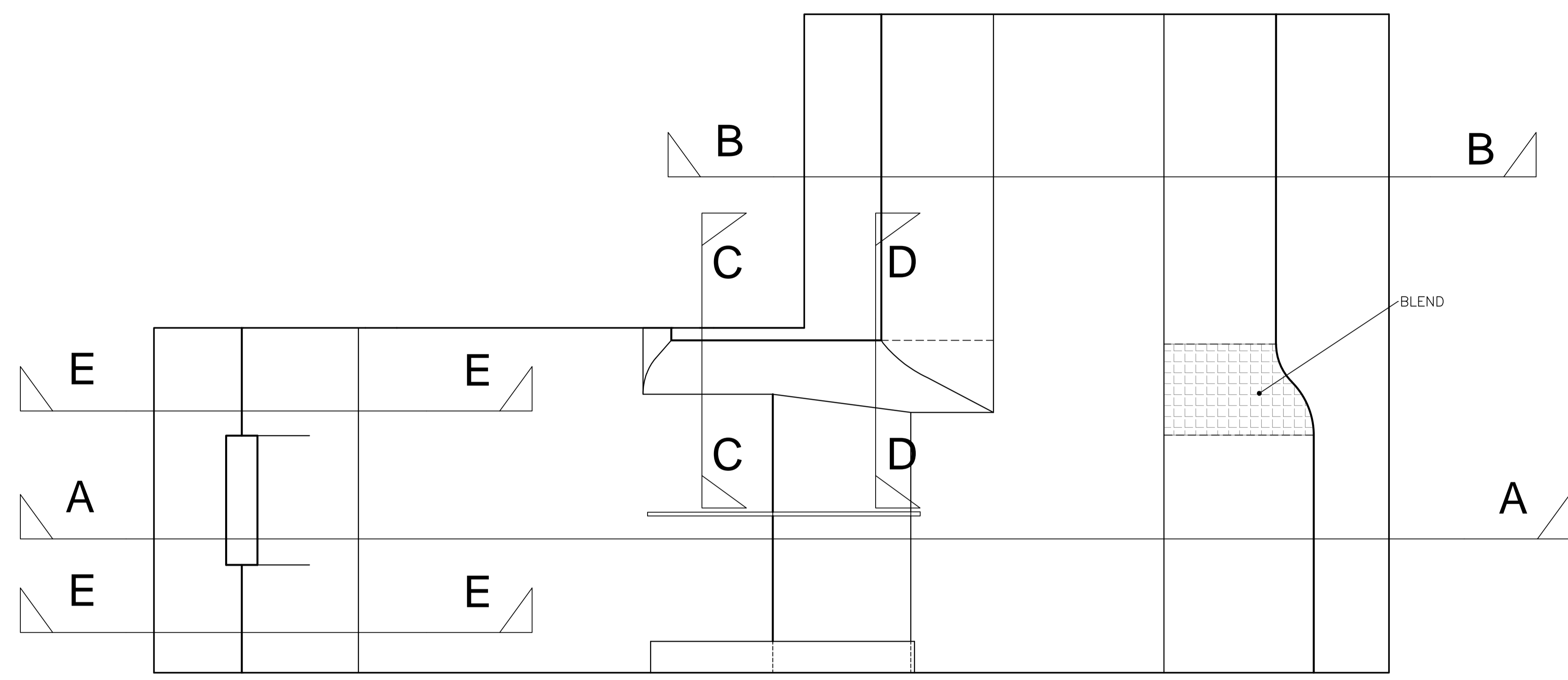
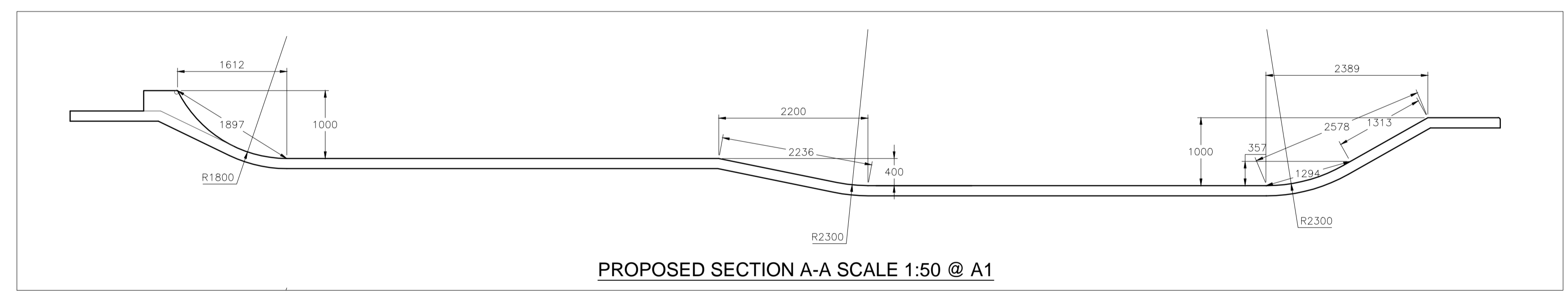


Rev	Revision notes	Date
14		

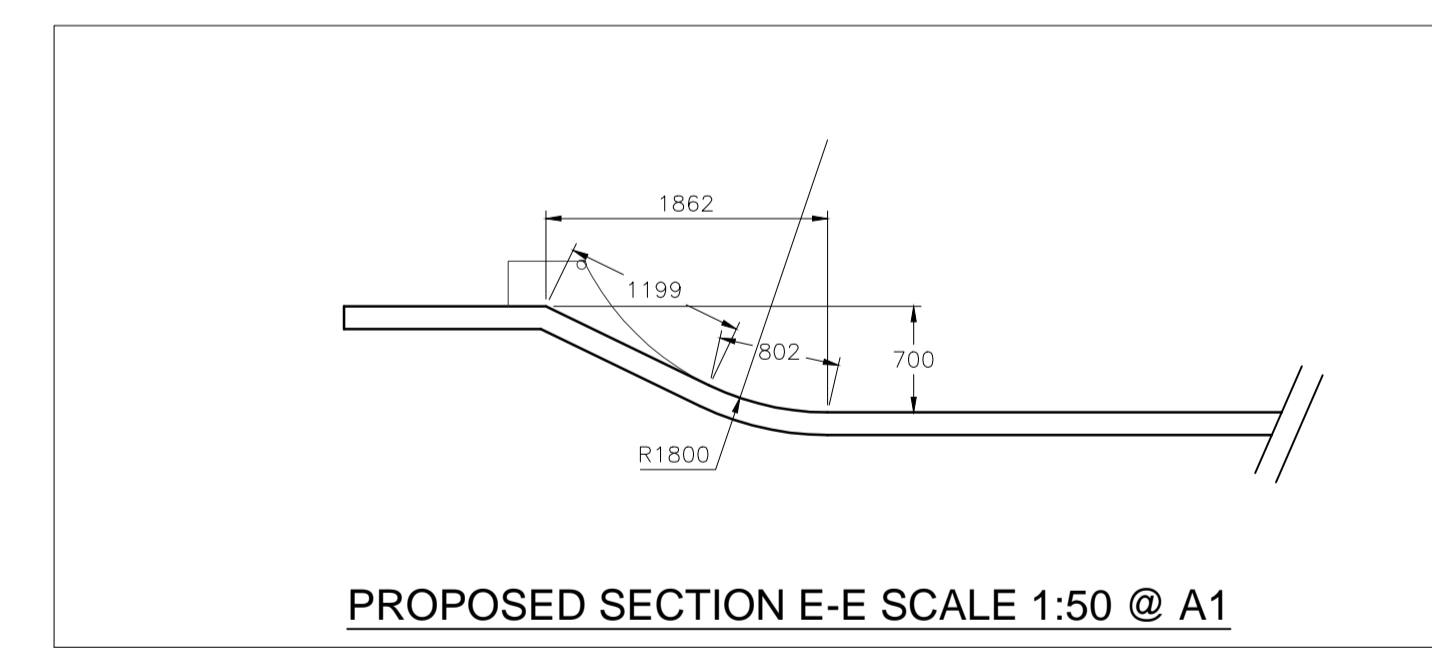
Notes
 1. ALL DIMENSIONS IN MILLIMETRES UNLESS OTHERWISE STATED



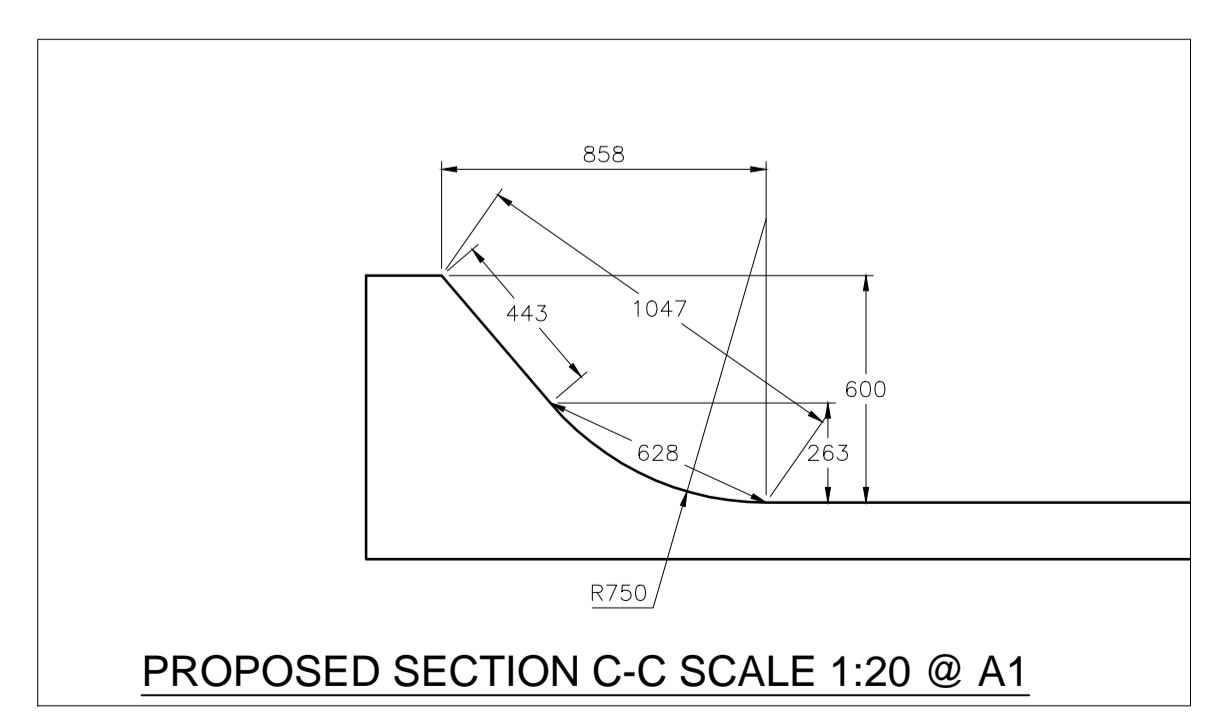
PROPOSED SITE PLAN SCALE 1:50 @ A1



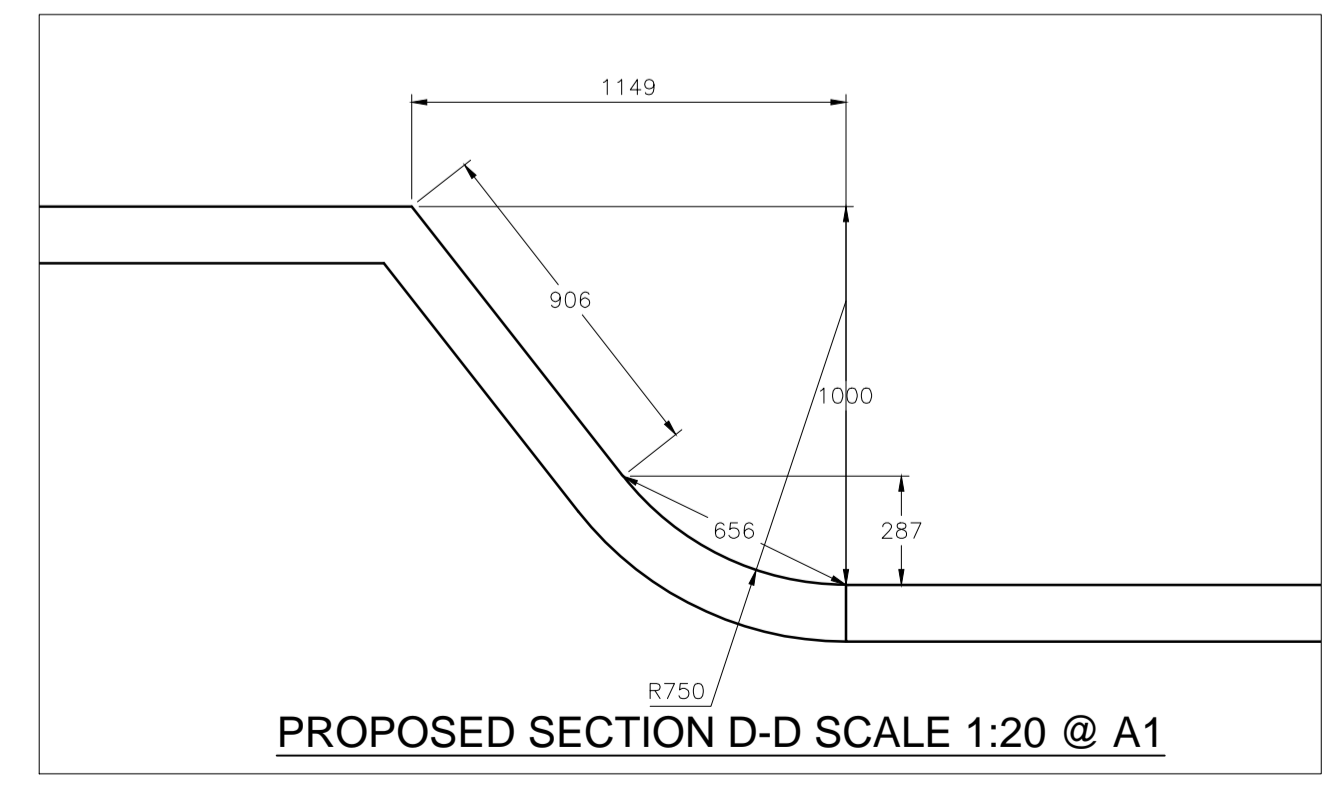
PROPOSED SECTION A-A SCALE 1:50 @ A1



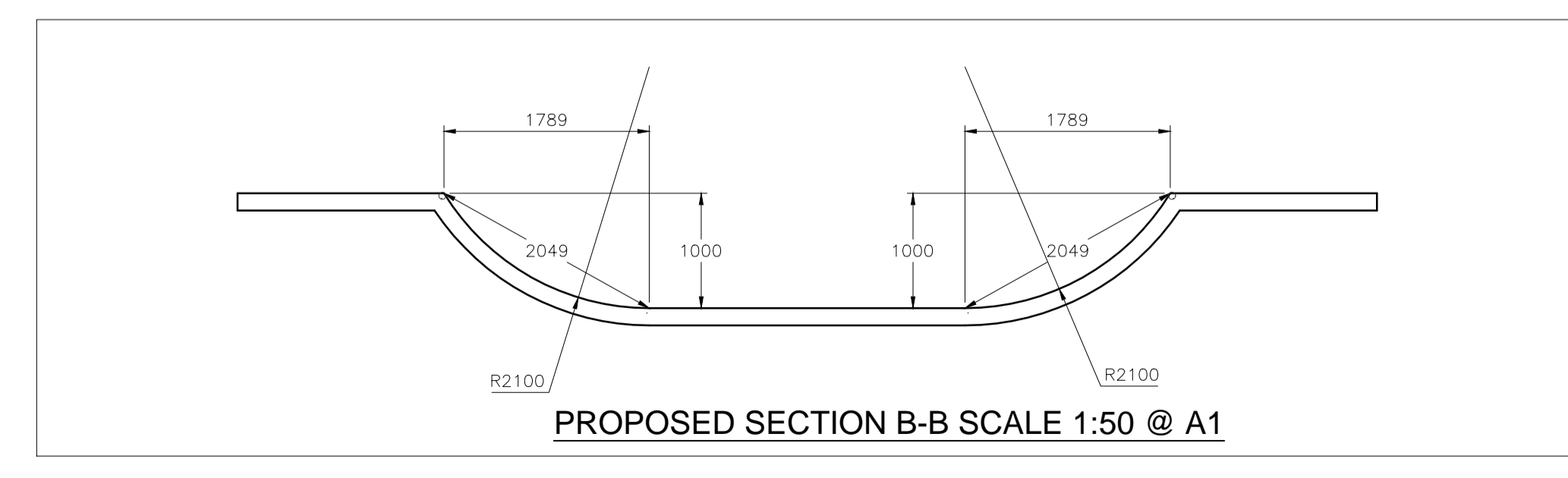
PROPOSED SECTION E-E SCALE 1:50 @ A1



PROPOSED SECTION C-C SCALE 1:20 @ A1



PROPOSED SECTION D-D SCALE 1:20 @ A1



PROPOSED SECTION B-B SCALE 1:50 @ A1

FREESTYLE SKATEPARKS (A TRADING NAME OF LESLIE LIFTON LTD) 2017. THIS DOCUMENT CONTAINS CONFIDENTIAL AND PROPRIETARY INFORMATION THAT CANNOT BE REPRODUCED OR DWELLED, IN WHOLE OR IN PART, WITHOUT WRITTEN AUTHORISATION FROM FREESTYLE SKATEPARKS. ERRORS AND OMISSIONS EXCEPTED.

Site SAXILBY SKATE FACILITY		
Site Address WILLIAM STREET SAXILBY LN1 2LP		
Client SAXILBY PARISH COUNCIL/LINDUM		
Title SKATEPARK GENERAL SECTIONS		
Drawn JM	Checked ---	Approved ---
Size A1	Scale As shown	Date 17.10.17
freestyle		
<small>FREESTYLE FORGE WORKS HERONGATE ROAD CHORLEYWOOD HERTFORDSHIRE WD3 5BB T: (0)1923 777 111 E: INFO@FREESTYLESKATEPARKS.COM</small>		
Drawing Status PLANNING		
Drawing no. SALI-GEL01	Revision ---	